

TH RANGE

TH5.26 | TH6.28 | TH6.32 | TH6.36

TH7.32 | TH7.37 | TH7.42 | TH9.35







New TH range, as good as gold.

For over 20 years New Holland telehandlers have continued to deliver an unrivalled mix of performance, dependability and affordability. The new TH series machines benefit from a striking new yellow and grey livery, reflecting their importance to the hay and forage sector and association with those product lines.

More models, more choice

A wider eight model range, consisting of TH5.26, TH6.28, TH6.32, TH6.36, TH7.32, TH7.37, TH7.42 and TH9.35 models from 5.7 to 9.1 meters, is packaged within fifteen model versions, divided into Compact, Classic, Plus and Elite variants, to cater for the different performance needs of our customers. Purpose developed for those seeking a smaller handler, the new compact TH5.26 and TH6.28 models feature new engines, new styling and a new cab. Designed for applications to include materials handling, yard work and stacking large bales, the Classic telehandlers are the ideal choice for arable, mixed farm and contract applications. Plus & Elite telehandlers are the default choice for demanding farm and contract operators, their high power to weight ratio enabling them to deliver exceptional performance in the most demanding applications.

Productivity raising features

The new Compact models feature 1x1 and 2x2 hydrostatic transmissions, while the rest of the range benefits from all new 4x3 and 6x3 PowerShift™ transmissions, providing smoother shifting and shuttling performance resulting in a better driving experience. Compliant to Stage V emissions standards, enhanced performance and economy are matched to improved comfort and reduced operating costs. The very latest cab sets a benchmark for low noise and comfort. A choice of rear trailer hitch types and hydraulic brake coupling, dependant upon market, are available. The best in class 1000 hour service intervals ensure your investment is kept busy working for longer.

More choice, more productivity.

In response to customer demand and the need to maximize productivity, the new TH product offering has been expanded to eight models with a total of fifteen variants, with three models within the important 7m category. Elite models feature 145hp engines, 3 mode 6x3 PowerShift™ transmissions, piston pump and a seat mounted joystick, Plus models feature 133hp engines and 6x3 PowerShift™ transmissions with 2 modes and a piston pump. Classic spec variants feature 133hp engines, reversible cooling fan, single mode 4x3 PowerShift™ transmission and limited slip rear diff. The new TH range is the product of years of development, investment and listening to customer feedback.

Superior visibility and comfort

The new TH range features an advanced cab design that offers improved comfort, noise suppression and visibility for maximum productivity at any time. The new LED light option can produce up to 25,000lumen of combined lighting power to turn night into day and increase safety and productivity.

Enhanced quality

The TH telehandlers feature a twin U shaped robot welded boom, that is extremely rigid and durable. The H shaped ladder chassis has massive torsional strength and is engineered to operate in the most demanding applications. New Holland is committed to ongoing quality improvement and has invested in a new dedicated TH production line between 2012 and 2013.

Ease of ownership

Downtime is the enemy of productivity, that is why all TH telehandlers are engineered to minimise the need for routine maintenance for optimised dependability. Daily checks and routine care has been simplified, making it easier to look after the handler between its extended 1000-hour service intervals.

6.1m - 9.1m max reach

Automatic reversible cooling fan

Stage V ECOBlue™
HI-eSCR 2 engine, up to 145hp

1000 hour service intervals

3 mode steering with
auto alignment option





3.2 - 4.2 ton lift capacity

Up to 10 LED lights

Optional complete auto lubrication system

Hydraulic quick-coupler option

360° vision, 71dB(A) noise levels

External Aux pressure relief switch

New 6x3 & 4x3 PowerShift™ transmissions

Best in class service access

Industrial or Agricultural tyre options

Eight TH models, countless applications.

At New Holland, we listen to our customers. We appreciate key telehandler demands vary between those seeking a telehandler with the reach to pick up, transport and stack large bales to those who need a maneuverable machine that will see daily use for livestock duties – and everything in between. With the TH series, New Holland has a telehandler to suit specific demands. As a guide, each model number gives a broad indication of its maximum lift height and capacity. As an example, TH6.32 models will lift to 6.10m and offer a 3,200kg capacity, the TH9.35 operating up to 9.10m and offering 3,500kg capacity.



TH5.26 models features include:

- 2600kg load capacity
- 5.7m lift height
- 1.85m width
- 1,98m height
- single speed Hydrostatic transmission
- 80Lpm hydraulic pump
- 74hp Stage V engine

TH6.28 models features include:

- 2800kg load capacity
- 6.3m lift height
- 2.10m width
- 2.10m height
- two speed Hydrostatic transmission
- 100Lpm hydraulic pump
- 108hp Tier 4B engine

Model	Max reach	Capacity	Power
	m	kg	hp
TH5.26	5.7	2600	74
TH6.28	6.3	2800	108

Compact but versatile

The 74hp TH5.26 and 108hp TH6.28 measure just 1.85 and 2.10m wide respectively. With a turn radius of as low as 3.95 and 4.17m, these compact handlers can operate in tight spaces, a height of just 1.98m and 2.10m enabling either machine to work in low buildings to include pig and poultry units. However, do not think compact dimensions means limited capacity, they will lift up to 2,800kg.



Classic models features include:

- limited slip diff rear axle
- optional reversible cooling fan
- 142° dump angle
- 140Lpm variable pump
- 1,000hr service intervals
- LED light options

Model	Max reach	Capacity	Power
	m	kg	hp
TH6.32	6.1	3200	133
TH7.32	7.0	3200	133
TH7.37	7.0	3700	133
TH9.35	9.1	3500	133

Classic specification

New Holland offers more budget focused operators a wide choice of models across the TH range, the Classic models represent value for money without compromising productivity. All Classic models feature Stage V, 4.5 litre NEF engines, with a maximum power output of 133hp. These telehandlers have new 4F-3R PowerShift™ transmissions with gears selectable on the joystick, while direction changes are handled by a column mounted powershuttle lever. Classic models feature a 140Lpm variable displacement pump and manual three-mode steering system in addition to the high levels of equipment offered.



Plus models features include:

- air suspended seat
- HVAC ventilation system
- hydraulic quick coupler
- rear cab light pack
- telescopic steering column
- 1,000hr service intervals

Elite models features include:

- hydraulic pressure release
- armrest mounted joystick
- rear cab and boom light pack
- heated air suspended seat
- automatic steering alignment
- rear electrical sockets
- 40kph max speed
- 1,000hr service intervals

Plus and Elite models

Plus and Elite models are aimed at the most demanding operators who require maximum productivity and comfort at all times. These machines produce maximum power outputs of 133hp and 145hp respectively from a Stage V, 4.5 litre NEF engine and both feature new 6F-3R PowerShift™ transmissions. The transmission offering features two modes on Plus models, Manual and Semi-auto, Elite models feature three transmission modes, Manual, Semi-auto and Full-auto. The transmission modes make Plus and especially Elite models well suited to transport work and towing capacity with a braked trailer is a massive 20tons. On Elite models, the forward and reverse powershuttle can be selected via buttons on the main joystick or via an optional steering column mounted lever. The Elite range now includes the TH9.35 Elite model featuring a 9.1m reach aimed squarely at professional straw business.

Model	Max reach	Capacity	Power
	m		
TH6.36 Plus	6.1	3600	133
TH7.32 Plus	7.0	3200	133
TH7.37 Plus	7.0	3700	133
TH7.42 Plus	7.0	4200	133
TH9.35 Plus	9.1	3500	133
TH6.36 Elite	6.1	3600	145
TH7.37 Elite	7.0	3700	145
TH7.42 Elite	7.0	4200	145
TH9.35 Elite	9.1	3500	145

See more for better productivity.

New Holland has taken its established expertise in tractor cab design and applied it to the 360° Vision Cab. Offering class-leading space and comfort, the cab affords excellent all-round visibility with an unparalleled view of the front of the carriage / forks when fully lowered. In work, this extra visibility boosts productivity in duties to include loader work and speeds up attachment changeovers.

More glass, brilliant visibility

Extensive research by New Holland has led to the development of the 360° Vision Cab. A key aim was to help reduce 'blind spots' over the front of the boom, particularly when fully raised and fully lowered. By combining a wide and deep front screen with slim 'A' pillars, the visibility from the operators seat is greatly enhanced.

Engineered for low noise

The best way to reduce noise is to eliminate its sources. By combining a number of design developments, TH in-cab noise levels are just 71dB(A). A key to the low noise levels is the ECOBlue™ HI-eSCR 2 equipped engines, these clean running power units also offering exceptionally low bystander noise levels.





New LED lights

- Powerful LED lighting package can now be specified as an option
- Each LED light outputs 2500 lumen
- A total of 10 LED lights give all round visibility for enhanced safety and productivity
- Up to 5 front facing, 3 rear facing and 2 side facing LED lights can be fitted

Eight vents for comfort

- Powerful air-conditioning system ensures day long comfort
- Eight adjustable louvers direct warm or cool air to where its needed
- The cab also features opening rear and door windows for fresh air entry



Cab and controls

- TH Elite models feature an electronic joystick mounted on the seat armrest
- Gear selection, neutral, forward/reverse shuttle, transmission de-clutch, boom and 3rd service functions can be operated from the joystick
- A steering column mounted shuttle lever is also optional on Elite models
- Steering wheel adjusts for both tilt and reach
- The heated air suspended seat is standard



- Non-Elite TH models feature a console mounted electronic joystick
- Transmission de-clutch & gear selection in addition to boom and 3rd service functions, can be operated from the joystick
- A forward /reverse shuttle lever is mounted on the steering column
- Steering column features tilt adjustment on Classic models, Plus models also features height adjustment
- A pneumatic suspended seat is optional on Classic models but is default spec on Plus models. For all models the air suspended seat can be upgraded with a heating function

Clean performance. Responsive productivity.



TH telehandlers are powered by Stage V compliant, NEF 4.5 litre, four-cylinder engines, manufactured in house by FPT Industrial. Proven in the New Holland T6 tractor models, these exceptionally clean running engines employ ECOBlue™ HI-eSCR 2 technology, have industry leading 1000 hour service interval and a proven economy and dependability record. Rated power outputs are 121hp for the non-Elite models and 131hp for the TH Elite. These figures climb to 133hp and 145hp as engine speed drops to 1,800rpm. To minimise power loss, the engine flywheel connects directly to the transmission via a heavy-duty 280mm torque convertor, a transfer box directing power to the front and rear axles. TH Elite models achieve a maximum 40km/hr transport speed, and both Elite and non-Elite models feature a transport mode that, when manually activated, automatically locks the boom functions. Transport mode also prevents the operator from activating 4WS or crab steer modes, permitting front axle steering only.



Reversing fans keep everything cool

- Main engine radiator fan reverses every 6 minutes and runs for 15 seconds
- Dust and debris are blown from the engine cooling package, oil coolers and intercooler
- The same cycle is repeated by two electrical fans to clean air-con, fuel cooler and transmission radiators



Bigger tyres, more choice

- TH telehandlers are fitted with 460/70R24 tyres
- Wider 500/70R24 option can be specified
- Ground clearance at the lowest point under the axles is a generous 415mm
- Industrial tyre options are now available in 460 and 500mm sizes



New TH 4x3 transmission keeps it simple

- Classic models feature a full powershift 4F x 3R transmission
- Gear changes are made via buttons on the console mounted joystick
- New gear ratios result in greatly improved performance when climbing gradients and towing in higher transport gears
- Smooth direction changes are made via the steering column mounted shuttle lever
- Noticeably smoother shifting and acceleration are a result of the new transmission
- Single, manual transmission mode keeps things simple

TH Plus & Elite 6x3 transmission features auto modes

- Plus models feature a new 6F x 3R PowerShift™ transmission with 2 modes, Manual and Semi-auto
- Semi-auto mode is effective in gears 4, 5 and 6 and is ideal for transport duties
- When activated it selects the gear most appropriate to the forward speed and engine rpm
- Towing capacity with a braked trailer is 20tons
- Elite models feature the new 6x3 transmission with 3 modes, Manual, Semi-auto and Full-auto
- Full-auto mode is active between gears 2 - 6 for great roading performances; Semi-auto mode operates between gears 2 - 4 to maximize productivity in yards and tight spaces
- Memory shuttle on Elite models remembers the last used forward and reverse gears when changing direction



Full time 4WD and auto traction control

- All TH models feature full time 4WD as standard
- Front limited slip differential is also standard on all models
- Rear LSD available on Plus and Elite models
- The differential directs up to 45% of available torque across the axle to ensure the wheel with the greatest traction always gets power

Hydraulic wet disc brakes

- Sealed wet disc brakes on both TH axles require minimal maintenance and can handle high transport speeds
- The hydraulic trailer brake circuit is linked to the TH's brakes to enhance safety
- The parking brake* is automatically activated at any time the engine is switched off; it can be manually engaged by shuttle lever on steering column or via a dash mounted switch

* SAHR system (Spring Applied Hydraulic Release).

Manoeuvrability and steering modes

- Turning radius when 4WS is engaged is just 3.9m
- Transport mode permits the selection of 2WS only
- TH Elite models offer auto wheel alignment when switching between, all-wheel, crab and front steering; this feature is available as option for Classic and Plus models

Powerful hydraulics deliver fast work cycles.

Efficient hydraulics are key to telehandler productivity. This goes beyond pump capacity; efficient use of available oil, optimised ram sizes and effective control valves all making a contribution to overall performance. The new TH models benefit from New Holland's 20 years of telehandler development, careful attention to the design of the hydraulic circuit not just improving cycle times but also in ensuring performance is maintained in demanding conditions to include extreme heat. Up to two optional front auxiliary hydraulic outlets, complete with valves and diverters, to control front mounted attachments can be specified. Additional rear auxiliary lines are also available.



Variable pump delivers high output at low engine speeds

- TH Classic, Plus and Elite models are fitted with a high performance, variable displacement piston pump with a maximum output of 140Lpm
- Guaranteed to deliver high flow rates at all engine speeds but to also close down when there is no demand on the system
- This allows more engine power to be diverted to the transmission and is of particular value in duties to include transport and when climbing a silage clamp

External pressure release switch

- Switch attachments over quickly and easily without returning to the cab by pressing the Aux pressure relief switch located above the front fender

Models		TH5.26	TH6.28	TH6.32	TH6.36	TH7.32	TH7.37	TH7.42	TH9.35
Hydraulic cycle times (unladen)									
Lift	(seconds)	7.8	8.8	6.7	6.7	6.7	6.7	6.7	6.7
Lower	(seconds)	4.1	4.6	5.2	5.2	5.2	5.2	5.2	5.2
Extend	(seconds)	6.1	6.7	5.2	5.2	6.2	6.2	6.2	7.9
Retract	(seconds)	3.4	3.7	3.7	3.7	4.5	4.5	4.5	6.3
Bucket Dump	(seconds)	2.2	2.4	2.8	2.8	2.8	2.8	2.8	2.8
Bucket Crowd	(seconds)	3.5	3.8	2.8	2.8	2.9	2.9	2.9	2.9



Strength by design.

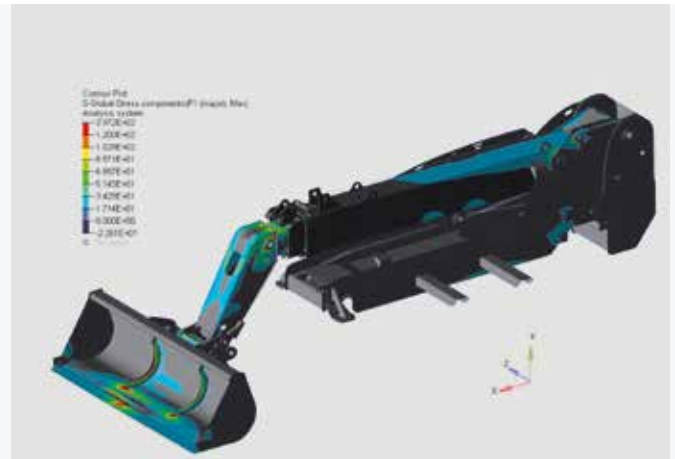
New Holland employs state-of-the-art manufacturing techniques and has invested millions in the production line for TH models. Robot welding is a key manufacturing process and ensures consistent quality during chassis and boom construction.

- Hydraulic end-stroke dampers ensure smooth boom retraction and extension
- Dampers also protect the boom and operator from regular shock loads
- Engineered 40/60 weight distribution eliminates the need for bolt-on counterweights
- Excellent stability and traction is achieved when loaded
- Chassis strength is boosted as a result of the in-built mass
- 45° low profile headstock design enables complete filling of roof cavities
- 142° tilt angle is default on Classic, Plus and Elite
- Manual or hydraulic attachment lock is available



Boom construction

- Twin U-shaped sections, 10mm - 12mm thick form the boom
- Heavy duty pins ensure optimum durability
- Boom wear pads are easy to adjust
- Boom brushes prevent debris entering the sliding sections



Lifting geometry

- Main lift ram is positioned under the boom
- Boom compensation cylinder faces rearward near the hinge point
- Both cylinders extend in opposite directions as the boom is raised
- This "opposite working" design improves boom control



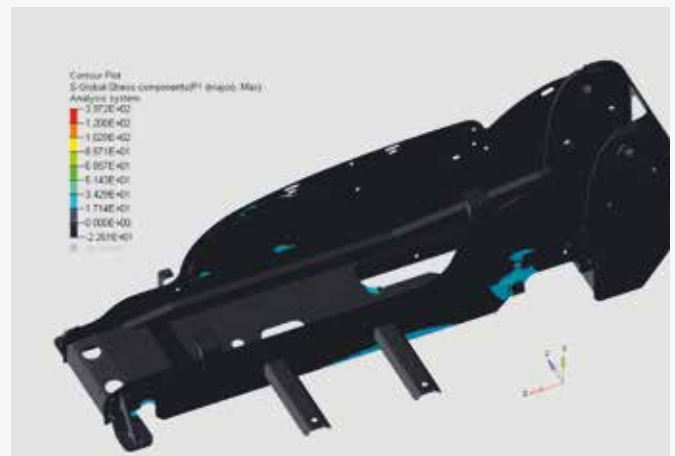
Boom suspension

- Optional boom suspension reduces shock loads over rough terrain
- Automatic deactivation occurs when the boom exceeds a 35° lift angle



Chassis construction

- H-shape ladder chassis is made from 25mm high tensile steel
- Robot welding ensures exceptional torsional rigidity
- Exceptionally strong boom support negates the need to add extra counterweights



Small in size, big in performance.

With a working width of just of 1.85m the 74hp TH5.26 is the smallest model in the TH range and has the compact dimensions to suit a wide range of applications. Size, however, should not be confused with a lack of performance, the diminutive TH5.26 is able to lift 2,600kg and stretch up to a full 5.7m.



Clean engines with DOC & DPF

- The 74hp TH5.26 complies with Stage V emission regulations.
- Its engine is fitted with a diesel oxidation catalyst DOC and a diesel particulate filter, DPF, that traps harmful soot generated during combustion.



High performance hydraulics

- With hydraulic output of 80Lpm, the TH5.26 can power up to four boom-mounted double acting auxiliary valves, with the option to also fit two at the rear



New joystick design

- New joystick features FNR functions, boom in /out, auxiliaries and continuous oil flow
- As an option, the hydrostatic transmission can also be switched from forward, through neutral and into reverse via the shuttle lever below steering wheel
- Safety is guaranteed by the grip sensor in the joystick handle to avoid accidental boom movements



Simple controls

- In the cab, the newly styled instrument cluster now includes tachometer, speedometer and fuel gauge dials
- A central backlit LCD display lists key operating information that includes a DPF filter level indicator and manual or automatic DPF regeneration control



Hydrostatic drive simplicity

- Compact telescopic handlers are ideally suited to re-handling materials and for duties that include numerous direction changes
- TH5.26 features a single-speed hydrostatic transmission.
- The drive pedal can be used to speed or slow the machine, with a reduced need to operate the brakes
- An inching pedal allows supreme control for precise movements



Top manoeuvrability

- Among the most compact in its class, the TH5.26 is the ideal choice for operating in low buildings with narrow access
- Two wheel, four wheel and crab steer modes can be selected and can deliver a turn radius of just 3.95m

Medium size, maximum productivity.

The new 108hp TH6.28 stands 2.10m wide and 2.10m high with a larger 2.8ton lift capacity and 6.3m lift height, ideal where accessibility is important but also offering more capacity and stability. An all new designed cab featuring high quality materials and full interior trim combines functionality and ergonomics with class leading comfort, space and visibility setting the TH6.28 apart from the competition. Sound and vibration levels have been minimised and comfort increased thanks to the new advanced shock absorbing cab mounting system.



Class leading cab

- Large opening door and ample space ensure comfort for the tallest operators
- Hydraulic shock absorbing cab mounts ensure a comfortable ride
- Huge glass area ensures maximum visibility
- New air-con system featuring 6 vents and twin air filters
- Powerful LED light package option provides 360 degree visibility
- New joystick features FNR functions, boom in /out, auxiliaries and continuous oil flow
- Comfort kit includes sun screen, step light, pedal light and USB connectors



Transmission

- Two speed hydrostatic transmission
- 40kph maximum road speed
- New joystick features FNR functions and boom in /out plus auxiliaries
- Left hand shuttle lever option
- Limited slip diff front axle
- Inching pedal for precise manoeuvring



LED light package

- Class leading and comprehensive LED light package ensures 360 degree illumination
- Up to nine LED work lights can be specified as an option



Hydraulic performance

- 110Lpm hydraulic gear pump provides the power required to power up to four boom-mounted double acting auxiliary valves, with the option to also fit two at the rear
- New external auxiliary pressure dump switches make changing attachments hassle free



Engine

- The TH6.28 features a 4 cylinder 3.8L engine producing 108hp
- Compliant with Tier 4B emissions regulations, it employs DOC, DPF & SCR technology

360°: TH.

New Holland has worked hard to reduce the maintenance demands of its new TH telehandlers and now boasts industry leading service intervals of 1000 hours for the engine and 1000 hours for the transmission oil.



- Adjusting the telescopic boom pads has been simplified, a simple nut screw and lock nut system making adjustment quick and easy



- 140 litre fuel tank features a wide filler neck and is easy to access
- 27 litre capacity AdBlue tank is conveniently located next to the diesel tank for simultaneous refilling



- All models feature 12 daily grease points
- Grouped grease nipples are optional to grease the axles, lift and compensation cylinders



Auto lubrication system

- New auto-lube system ensures that all important lubrication points receive the right amount of grease at the right time
- Manual activation is possible from the cab
- Headstock grease points are serviced by a separate dispenser unit
- An additional dispenser unit is fitted to the extra boom section on 9m models



- The engine air filter is easy to check, clean or replace, without the need for tools

The engine hood lifts on gas struts for full access.

1000 hour service interval for engine.

1000 hour service interval for transmission oil.

The compact cooling package is mounted on a frame that enables the radiators to both swing out and tilt for easy cleaning.



New Holland Services.



Finance tailored to your business

CNH Industrial Capital, the financial services company of New Holland, is well established and respected within the agricultural sector. Advice and finance packages tailored to your specific needs are available. With CNH Industrial Capital, you have the peace of mind that comes from dealing with a financing company that specialises in agriculture.



Trained to give you the best support

Your dedicated New Holland dealer technicians receive regular training updates. These are carried out both through on-line courses as well as intensive classroom sessions. This advanced approach ensures your dealer will always have the skills needed to look after the latest and most advanced New Holland products.

Uptime Warranty – because your peace of mind is priceless

Uptime Warranty programme provides owners of New Holland agricultural machinery with repair services covering your machinery over the Manufacturer's contractual Warranty. Maximum control over operating costs, repairs completed by authorized NH Dealers using NH genuine parts, higher re-sale value of your machine, transferable coverage.



MyNew Holland



Harvest Excellence



MyPLM®Connect Farm



New Holland Apps

MyNew Holland - Harvest Excellence - Grain Loss Calculator - Product Apps - New Holland Weather - MyPLM®Connect Farm - PLM Solutions - PLM Calculator - PLM Academy

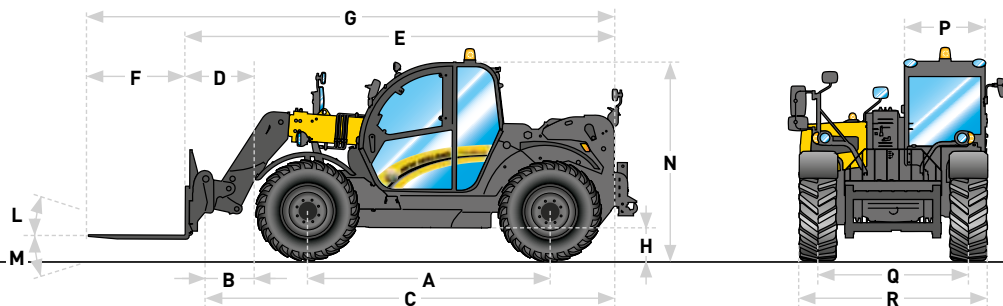
New Holland Style

Want to make New Holland a part of your everyday life? Browse the comprehensive selection on www.newhollandstyle.com. A whole range of items are available including hard wearing work clothing and a vast selection of scale models, together with so much more. New Holland. As individual as you.

22 SPECIFICATIONS

Models	TH5.26	TH6.28	TH6.32	TH7.32	TH7.37	TH9.35
Engine*	V3307**	V3800**				NEF N45
Compliant with engine emissions regulations	Stage V	Tier 4B / Stage 4				Stage V
Displacement / No. of cylinders / Valves (cm³)	3330 / 4 / 4	3770 / 4 / 4				4500 / 4 / 4
Aspiration	Turbo	Turbo AC				Turbo Aftercooler
Fuel system	High Pressure Common Rail	High Pressure Common Rail				High Pressure Common Rail
Exhaust system	DOC+DPF	SCR+DOC+DPF				ECOBlue™ HI-eSCR 2 (Selective Catalyst Reduction)
Rated power - ISO 14396 - ECE R120 [kW/hp(CV)]	54.6/74@2600rpm	79.5/108@2200rpm				89/121@2000rpm
Max power - ISO 14396 - ECE R120 [kW/hp(CV)]	54.6/74@2600rpm	79.5/108@2200rpm				98/133@1800rpm
Max torque - ISO 14396 - ECE R120 (Nm)	265@1500rpm	379@1500rpm				549@1500rpm
Transmission						
Traction		4WD				4WD
Type of transmission		Hydrostatic				PowerShift™
Number of gears (F/R)	1x1	2x2				4x3
Gear shifting modes	-	Manual				Manual
Gear shifting control	-	Switch				Incorporated on joystick
Shutting control		Incorporated on joystick Optional lever on steering column				Lever on steering column
Max speed (kph)	30	40				34
Brakes						
Service brake actuation		Hydraulic power assisted				Hydraulic power assisted
Service brake type		Oil immersed discs				Oil immersed discs
Discs per axle (front / rear)	6 / none	6 / 6				6 / 4
Parking brake		SAHR (Spring Applied Hydraulic Release)				SAHR (Spring Applied Hydraulic Release) integrated in Front Axle
Axles and differentials						
Front axle type		Limited Slip differential				Limited Slip differential
Rear axle type		Open or LSD				Limited Slip differential
Steering						
Actuation		Power steering				Power steering
Operating modes		2WS, 4WS, Crab				2WS, 4WS, Crab
Manual wheel alignment with visual indicators	● (1)	● (1)	●	●	●	●
Automatic wheel alignment	-	-	○	○	○	○
Tyres						
Size	12x16.5 - 12x18 280/80R20	400/70R20 400/70R24		460/70R24		460/70R24 - 500/70R24
Pattern type		Agriculture, Industrial				Agriculture, Industrial
Hydraulics						
Gear pump - 80Lpm / 230 bar	●	-	-	-	-	-
Gear pump - 100Lpm / 245 bar	-	●	-	-	-	-
Variable flow pump - 140Lpm / 240 bar	-	-	●	●	●	●
Front auxiliary flow (Lpm)	60	60			130	
Rear auxiliary flow (Lpm)	60	60			140	
Boom/Tilt control	Mechanical	Pilot			Pilot	
Boom extension control		Electro-Proportional			Electro-Proportional	
Auxiliary circuits control		Electro-Proportional			Electro-Hydraulic (on/off)	
Cycle time - Lift / Lower (seconds)	7.8 / 4.1	8.8 / 4.6	6.7 / 5.2	6.7 / 5.2	6.7 / 5.2	6.7 / 5.2
Cycle time - Extend / Retract (seconds)	6.1 / 3.4	6.7 / 3.7	5.2 / 3.7	6.2 / 4.5	6.2 / 4.5	7.9 / 6.3
Cycle time - Dump / Crowd (seconds)	2.2 / 3.5	2.4 / 3.8	2.8 / 2.9	2.8 / 2.9	2.8 / 2.9	2.8 / 2.9
Electrical						
Alternator (Amps)	80	100			120	
Battery	12V-120Ah-870A	12V-135Ah-950A			12V-180Ah-1000A	
Cab						
Vision		360°			360°	
Structure		ROPS - ISO 3471 / FOPS - ISO 3449			ROPS - ISO 3471 / FOPS - ISO 3449	
Cab noise level - LpA - ISO 6396:2008 (dB[A])	74	74			71	
Heating	●	●	●	●	●	●
Air conditioning	○	○	○	○	○	○
Mechanical suspension seat	●	●	●	●	●	●
Air suspension seat	○	○	○	○	○	○
Heated Air suspension seat	-	-	○	○	○	○
Joystick mount		Console mounted			Console mounted	
Steering column		Tilting			Tilting	
Capacities						
Fuel tank / AdBlue tank (Litres)	80 / -	100 / 20			140 / 27	
Engine oil (Litres)	11	11			12	
Hydraulic oil tank (Litres)	67	80			105	

● Standard ○ Optional - Not available * Developed by FPT ** Developed by Kubota (1) without visual indicator

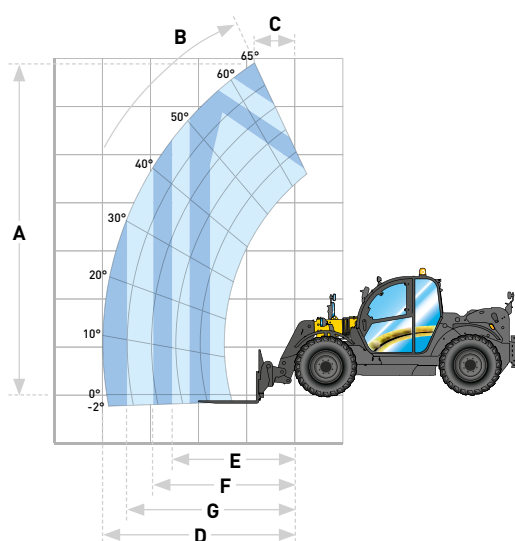


Models	TH5.26	TH6.28	TH6.32	TH6.36	TH7.32	TH7.37	TH7.42	TH9.35
Dimensions								
A Wheelbase (mm)	2350	2800	3000	3000	3000	3000	3000	3000
B Axle to carrier (mm)	590	670	1030	1030	1280	1280	1280	1510
C Carrier to rear of machine* (mm)	4125	4825	4860	4860	5110	5110	5110	5340
D Axle to fork heel (mm)	700	780	1160	1160	1410	1410	1410	1640
E Fork heel to rear of machine* (mm)	4235	4935	4990	4990	5240	5240	5240	5470
F Pallet forks length (mm)	1200	1200	1200	1200	1200	1200	1200	1200
G Overall length (mm)	5435	6135	6190	6190	6440	6440	6440	6670
H Ground clearance (mm)	270	300 / 350	415	415 / 440	415	415 / 440	415 / 440	415 / 440
L Rollback angle (°)	11	18	24	24	24	24	24	24
M Dump angle (°)	118	129	118	118	118	118	118	118
Total angle (°)	129	147	142	142	142	142	142	142
N Cab height** (mm)	1920 / 1980	2040 / 2090	2445	2445 / 2470	2445	2445 / 2470	2445 / 2470	2445 / 2470
P Cab width (mm)	860	965	1020	1020	1020	1020	1020	1020
Q Wheel track** (mm)	1500	1640	1870	1870 / 1840	1870	1870 / 1840	1870 / 1840	1870 / 1840
R Overall width (outside tires) (mm)	1850	2100	2340	2340	2340	2340	2340	2340
Turning radius outside tires - 4WS** (mm)	3950	4170	3910	3910 / 4090	3910	3910 / 4090	3910 / 4090	3910 / 4090
Operating weight*** (kg)	5350	6850	7940	7940	8000	8000	8000	8580

* Without rear hitch ** with smaller / larger tires *** Includes forks, full fuel tank and driver

Models	TH6.36 Plus	TH7.32 Plus	TH7.37 Plus	TH7.42 Plus	TH9.35 Plus	TH6.36 Elite	TH7.37 Elite	TH7.42 Elite	TH9.35 Elite
Engine*	NEF N45 Stage V 4500 / 4 / 4 Turbo Aftercooler High Pressure Common Rail ECOBlue™ HI-eSCR 2 (Selective Catalyst Reduction)								
Compliant with engine emissions regulations									
Displacement / No. of cylinders / Valves	[cm³]								
Aspiration									
Fuel system									
Exhaust system									
Rated power - ISO 14396 - ECE R120	[kW/hp(CV)]								
Max power - ISO 14396 - ECE R120	[kW/hp(CV)]								
Max torque - ISO 14396 - ECE R120	[Nm]								
Transmission									
Traction	4WD								
Type of transmission	PowerShift™								
Number of gears	[F/R]								
Gear shifting modes	Manual, Semi-Auto								
Gear shifting control	Incorporate on joystick								
Shuttling control	Lever on steering column								
Max speed	[kph]								
Brakes									
Service brake actuation	Hydraulic power assisted								
Service brake type	Oil immersed discs								
Discs per axle	[front / rear]								
Parking brake	SAHR (Spring Applied Hydraulic Release) integrated in Front Axle								
Axles and differentials									
Front axle type	Limited Slip differential								
Rear axle type	Limited Slip differential								
Steering									
Actuation	Power steering								
Operating modes	2WS, 4WS, Crab								
Manual wheel alignment with visual indicators	●	●	●	●	●	-	-	-	-
Automatic wheel alignment	○	○	○	○	○	○	○	○	○
Tyres									
Size	460/70R24 - 500/70R24		460/70R24		460/70R24 - 500/70R24				
Pattern type	Agriculture, Industrial								
Hydraulics									
Variable flow pump - 140Lpm / 240bar	●								
Front auxiliary flow	[Lpm]								
Rear auxiliary flow	[Lpm]								
Boom/Tilt control	Pilot								
Boom extension control	Electro-Proportional								
Auxiliary circuits control	Electro-Hydraulic (on/off)								
Cycle time - Lift / Lower	[seconds]								
Cycle time - Extend / Retract	[seconds]								
Cycle time - Dump / Crowd	[seconds]								
Electrical									
Alternator	[Amps]								
Battery	120 12V-180Ah-1000A								
Cab									
Vision	360°								
Structure	ROPS - ISO 3471 / FOPS - ISO 3449								
Cab noise level - LpA - ISO 6396:2008	[dB(A)]								
Air conditioning	●								
Air suspension seat	○								
Heated Air suspension seat	○								
Joystick mount	Console mounted								
Steering column	Tilting and telescopic								
Capacities									
Fuel tank / AdBlue tank	[Litres]								
Engine oil	[Litres]								
Hydraulic oil tank	[Litres]								

● Standard ○ Optional - Not available * Developed by FPT



Models	TH5.26	TH6.28	TH6.32	TH6.36	TH7.32	TH7.37	TH7.42	TH9.35	
Main performance									
Max lift capacity	[kg]	2600	2800	3200	3600	3200	3700	4200	3500
Lift capacity at full height	[kg]	1700	1500	3200	3600	2500	2500	1500	1500
Lift capacity at full reach	[kg]	900	1000	1350	1500	1300	1400	1500	500
A Max lift height	[mm]	5680	6350	6050	6050	7000	7000	7000	9150
B Max lift angle	[°]	66	64	61	61	65	65	65	61
C Reach at max lift height	[mm]	700	700	900	900	850	850	850	2660
D Max forward reach	[mm]	3200	3600	3300	3300	4050	4050	4050	6800
E Reach with 2000 kg load	[mm]	1600	2100	2550	3000	2950	3130	3500	3470
F Reach with 1500 kg load	[mm]	2300	2700	3100	3300	3650	3820	4050	4220
G Reach with 1000 kg load	[mm]	3000	3600	3300	3300	4050	4050	4050	5280

New Holland Top Service: customer support and customer information.



Top Availability

If you need information, or have an out of hours question, ring our toll-free number*. All day, every day, we are just a call away.



Top Speed

Express parts delivery: when you need it, where you need it!



Top Priority

Fast-track solution during the season: because your harvest can't wait!



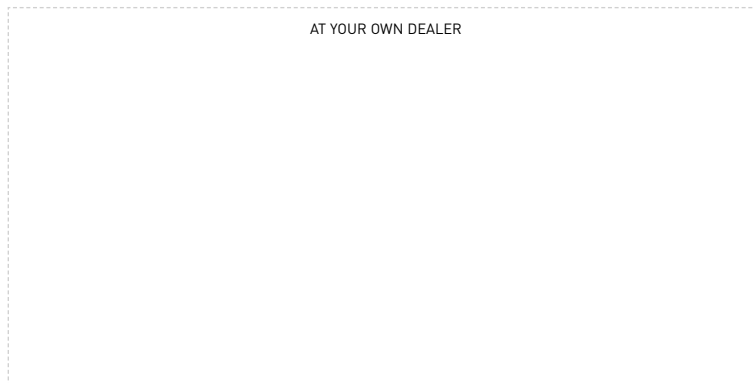
Top Satisfaction

We drive and track the solution you need, keeping you informed: until you are 100% satisfied!



For more details, ask your New Holland dealer!

* Calls to the Top Service team are free from landlines in the United Kingdom and Republic of Ireland. UK-based mobile calls are also free, but Republic of Ireland mobile users should call 01 2421881 and this will be charged at your standard network rate.



www.newholland.com/uk - www.newholland.com/ie

