



Integrated mechanical seed drills
SITERA 3010 - 3020 - 3030





Contents

- 04** The SITERA range
SITERA 3010 / SITERA 3020
 - 05** SITERA 3030 / SITERA e
 - 06** CD 3020 - High output in light soils
 - 07** HR 3020 / 3030 / 3040
A perfect seedbed in all conditions
 - 08** SITERA 3010 - Precise in all conditions
 - 09** SITERA 3020 - Double discs: versatility
 - 10-11** SITERA 3030 - SEEDFLEX 1000:
the precision coulters bar
 - 12-13** SITERA 3010 e / 3020 e / 3030 e
- the electric effect
 - 14** SITERA 3010 / 3010 e / 3020 / 3020 e /
3030 / 3030 e - HELICA: precise and easy
settings
 - 15** SITERA 3010 / 3010 e / 3020 / 3020 e
/ 3030 / 3030 e - A precise, simple and
compact combination
 - 16-17** SITERA: KUHN ISOBUS solutions
 - 18** SITERA 3010 / 3020 / 3030 / 3030 e
- Equipment that makes the difference
 - 19** Technical specifications
-

SITERA

Integrated mechanical seed drills

THE VERSATILE MECHANICAL SEED DRILL COMBINATION

THE SITERA SEED DRILL, WITH A WORKING WIDTH OF 3.00 M, IS COMPATIBLE WITH THE POWER HARROWS HR 3020 / 3030 / 3040 AND THE DISC CULTIVATOR CD 3020. IT CAN BE EQUIPPED WITH SUFFOLK OR DOUBLE-DISC COULTER, OR SEEDFLEX 1000 SEEDING UNITS AND IS AVAILABLE IN MECHANICAL OR ELECTRIC DRIVE VERSIONS.



DISCOVER THE ELECTRIC EFFECT.

The SITERA e mechanical seed drill is equipped with an electrically driven metering unit. It is possible to adjust the application rate manually or automatically by GPS via an ISOBUS terminal (with TC-GEO function).

ARE YOU LOOKING FOR EASY SETTINGS?

The infinitely variable, central seed depth adjustment makes it very easy to use. You can also control the machine via the VT 30 terminal (suitable for non-ISOBUS ready tractors), a CCI terminal or your tractor ISOBUS terminal.

A SMOOTH DRIVING EXPERIENCE.

The clever design, perfect visibility, balanced load distribution and forward-positioned hopper will make your driving experience a pleasant one both in the field as on the road.

THE SITERA RANGE

SITERA 3010

SITERA 3010 for sowing in all types of soil, even clay. Robust, compact and with great autonomy, the SITERA 3010 seed drill meets your requirements in terms of competitiveness and profitability while offering good sowing accuracy. The SITERA 3010 is equipped with low-maintenance coulters seeding units for sowing in all conditions.



SITERA 3020

SITERA 3020 for sowing in the presence of plant residues. The SITERA 3020 mechanical seed drill offers solutions for all conditions with simple and comfortable operation. The SITERA 3020 is equipped with double disc seeding units that are arranged over two rows distant by 25 cm for sowing in difficult conditions.



SITERA 3030



SEEDFLEX 1000: The precise coultter bar. The SITERA 3030 is equipped with a SEEDFLEX 1000 coultter bar with offset double discs for perfect furrow opening. This versatile mechanical seeding combination offers perfect seeding accuracy in all conditions.



SITERA e

SITERA e the electrical effect. Opt for the electric drive. The SITERA e mechanical seed drill has an electrically-driven metering unit. This machine is equipped with an electric motor on the right side (replacing the land wheel) and a radar sensor for the speed signal.



HIGH OUTPUT IN LIGHT SOILS

It takes less than 10 minutes to change the soil preparation tool and thus adapt the cultivation practice to your needs. The KUHN CD 3020 disc cultivator eliminates weeds, buries crop residues and crumbles the first few centimetres of soil for optimum germination.

WORKING EFFICIENTLY

The CD / SITERA seed drill combination has a centre of gravity close to the tractor. The 400 mm diameter serrated discs and large diameter rollers reduce energy consumption. The particularly robust design of the chassis allows it to work at high speeds.



Long service life with low maintenance.

The robust and reliable chassis is designed and adapted for high speed work. Profiled bars hold the discs in place with long-lasting elastomer blocks. These are maintenance-free, as are the rollers in the disc bearings, which are lubricated for life.



Lateral deflectors: a perfect finish

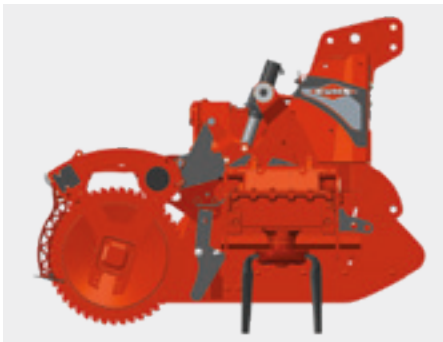
To obtain a perfect finish between two passes, the KUHN 1020 series CD integrated cultivator is equipped with lateral deflectors. Mounted on a parallelogram, they channel the soil flow.

A PERFECT SEEDBED IN ALL CONDITIONS

The SITERA seed drill is compatible with a wide range of KUHN HR power harrows with different types of tines and rollers for adapting to different working conditions. It is also possible to adjust the working depth and the levelling bar according to the type of soil encountered, either manually in a centralized way, or hydraulically in a continuous way from the tractor cab (optional equipment).

A SUPERIOR QUALITY SEEDBED

The special shape of the tines helps create a fine seedbed with a working depth of up to 20 cm. The HR 1040 series features tines with a specific length of 335 mm to work in the most difficult conditions. The duplex gearboxes allow the rotor speed to be adapted to different working conditions.



Ensured reliability

The powerful rotor drive is fully protected by a rigid gear case. The housing, bearings and tine holders form a compact and robust unit, thus limiting torsional stress on the housing.

Perfect levelling between passes

The special long design of these side deflectors ensures a perfect finish between two passes. They are quick and easy to adjust with spring safety and double-arm attachment for optimum hold.

FAST-FIT quick release tines as standard

The HR 3020 / 3030 / 3040 power harrows are equipped with FAST-FIT tines as standard. The tines are straight and have a length of 315 mm for the 3020 and 3030 series and 335 mm for the 3040 series. Thanks to their quick attachment system, time spent on tine replacement is minimised.

PRECISE IN ALL CONDITIONS

Save time in your seeding work with an easy-to-adjust seed drill that is suitable for all situations. The Suffolk coulters seeding units allow the SITERA 3010 to sow in all soil types, even clay soils.

FOR SOWING IN ALL TYPES OF CLAY

The SITERA 3010 mechanical seed drill is equipped with low-maintenance Suffolk coulters seeding units. The adjustable lower stop and the 25 kg pressure per unit ensure an optimal seeding depth in all rows, especially in sticky soil or after ploughing.



Work faster and more accurately with centralized settings

Centralized and independent pressure and lower stop adjustments as standard ensure an accurate and consistent seeding depth. The setting of the tillage implement has no influence on the seeding depth.

An all-purpose seed drill

With a 33 cm spacing between the 2 rows of coulters, the SITERA 3010 is capable of sowing even under the most difficult conditions. The specially profiled coulters ensure seeds are precisely guided into the furrow.

DOUBLE DISC: VERSATILITY

Cultivation practices are evolving towards increasingly minimum tillage techniques. The disc seeding units are versatile and suitable for seeding in plant residues or on tilled land.

SEEDING IN PLANT RESIDUES

The mechanical seed drill SITERA 3020 is equipped with seeding units with double discs that are arranged in 2 rows 25 cm distant for seeding in difficult conditions. The discs ensure perfect seed placement even in the presence of plant debris, in all types of soil, whether heavy or light.



Accuracy in all conditions

The coulter pressure can be adjusted by up to 35 kg to ensure an even seeding depth even on irregular ground. The parallelogram-mounted covering harrow ensures a perfect seedbed finish.



SEEDFLEX 1000: THE PRECISION COULTER BAR

The mechanical seed drill SITERA 3030 is equipped with a SEEDFLEX 1000 coulters bar with offset double discs for perfect opening of the furrow. The latter are mounted on a parallelogram and equipped with press wheels for accurately controlling the seeding depth of each unit. The SEEDFLEX 1000 seeding units are arranged in two rows 35 cm distant and are suitable for all applications. They are maintenance-free.

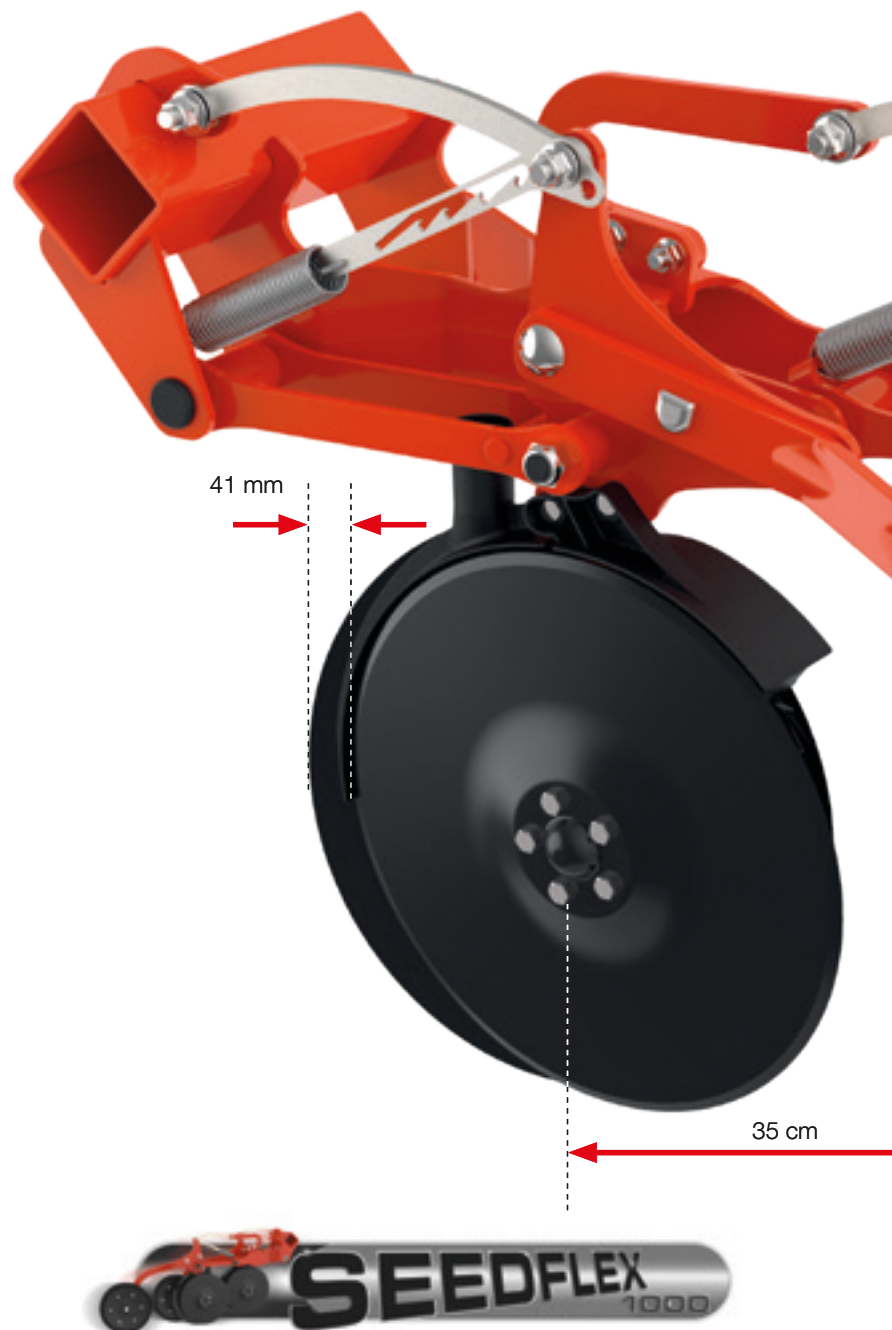


Easy penetration into all soils

The SEEDFLEX 1000 coulters bar is equipped with double discs offset by 41 mm for perfect opening of the furrow. The small opening angle of the discs limits soil ejection into the row and facilitates its closure.

Precise and fast seeding in all conditions

The SEEDFLEX 1000 seeding units are distributed over 2 rows 35 cm distant. This makes it easier for them to pass through clay soils or in plant debris. Forget about greasing! The bearings of the SEEDFLEX 1000 units are lubricated for life.





Securing seeding work

The SEEDFLEX 1000 seeding units are equipped with a safety device. If it encounters a large obstacle, this device bends but does not break. It is easily interchangeable, so that the whole unit does not have to be replaced and work can be completed rapidly.



Good soil/seed contact

For optimum germination and even emergence, the press and depth control wheels promote good soil/seed contact and moisture transfer to the seed by capillary action. The seeding depth is controlled row by row.



Seeding depth is maintained even at high speed

The SITERA 3030 is equipped with double discs mounted on a parallelogram. The ground pressure of each seeding unit can be adjusted by up to 45 kg for maintaining constant seeding depth, even on irregular ground.

SITERA 3010 e | 3020 e | 3030 e

SITERA e: THE ELECTRICAL EFFECT

The SITERA e mechanical seed drill is fitted with an electrically driven distribution system. The electric motor is fitted on the right hand side of the machine (replacing the land wheel). It also has radar sensor for the speed signal.

The electric motor is controlled with the control terminal.



EXCEPTIONAL SEEDING PRECISION

Adjustment of the application rate can be done manually or automatically by GPS via an ISOBUS terminal featuring the TC-GEO function. The Section Control (TC-SC) feature will also allow the seed drill to start and stop automatically via GPS at the headland.



An easy-to-use seed drill

For precise measurement of the working speed, the HELICA metering unit is driven by the electric motor integrated on the right-hand side and by the radar sensor. The calibration test is carried out fully automatically by means of the calibration button and the automatic metering activation.

Secure your yields

The seed level sensor in the hopper warns you when the level is low. The position of the sensor can be adjusted according to the seed type. For example, it can be lowered for small seeds such as rapeseed.

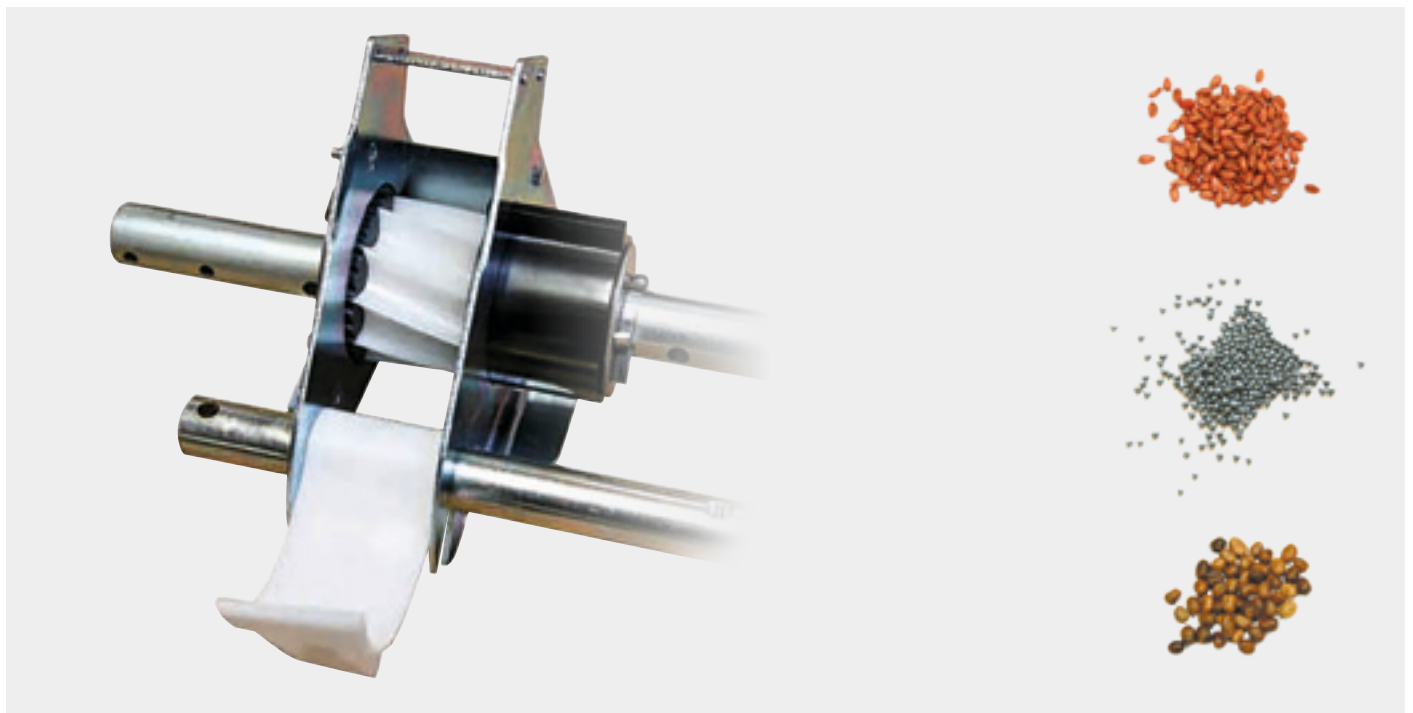
HELICA: EASE OF ADJUSTMENT AND ACCURACY



The HELICA mechanical helical groove metering system has an accurate application rate from 1.5 to 450 kg/ha, regardless of vibration or ground contours.

PRECISE METERING IN ALL CONDITIONS

HELICA technology meets your needs for accuracy and consistency of application rate. This volumetric system has proven itself in the field and will meet all your requirements. The HELICA groove is capable of distributing seeds of different sizes and shapes seed by seed. This ensures an accurate seed application rate and uniform distribution across the row.



TEST CRITERIA	RESULTS
Difference between applied and calibrated application rate (wheat)	low to very low
Lateral distribution (wheat)	good to very good
Difference between applied and calibrated application rate (barley)	very low
Lateral distribution (barley)	good
Difference between applied and calibrated application rate (rapeseed)	very low
Lateral distribution (rapeseed)	very good

The HELICA metering unit is convincing on the test bench

The sowing density applied corresponds exactly to the calibrated application rate. The lateral distribution is also perfect. The DLG also approves the accuracy of the HELICA metering unit.



Benefit from centralized adjustment

The application rate is adjusted by a single micrometric screw that adjusts the opening of the grooves. The result is an extremely accurate setting for a consistent application rate throughout the day.

A PRECISE, SIMPLE AND COMPACT COMBINATION

Thanks to its advanced hopper, the SITERA offers, on the one hand, very good visibility on the seeding units and, on the other hand, a centre of gravity as close as possible to the tractor for optimal driving comfort in the field and on the road. It is possible to equip the seed drill with a hydraulic top link (available as optional equipment), which contributes to reducing the overhang and allows the seeding bar to be raised for solo use of the power harrow.



Easy access hopper

The hopper of the SITERA seed drill has a capacity of 800 litres (1200 litres with extension available as optional equipment). The large opening (2.5 m x 0.84 m) makes it easy to fill. Access is facilitated by a wide loading platform and a retractable ladder.

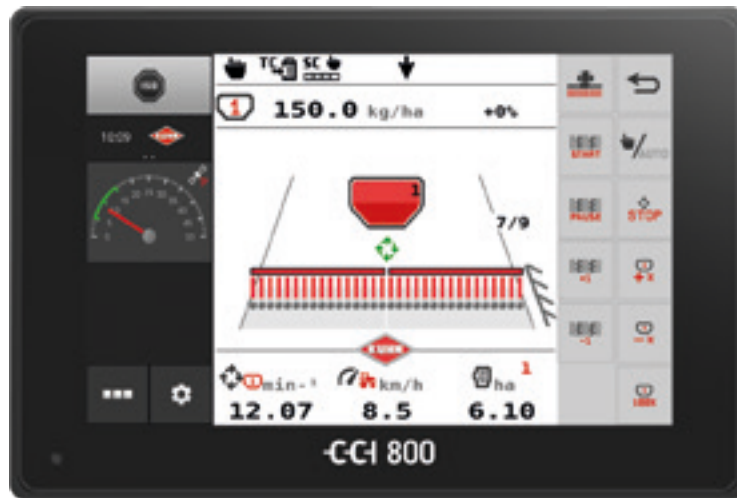
Benefit from a perfectly integrated combination

The hopper is positioned above the roller frame of the power harrow. This brings the centre of gravity of the combination closer to the tractor, limits the overhang, and reduces the required lifting power. The single-beam frame offers a very good view of the seeding units during work and of the covering harrow during transport.

KUHN ISOBUS SOLUTIONS: TAKE ADVANTAGE OF THE COMPATIBILITY OF THE SITERA SEED DRILL RANGE WITH ISOBUS!



CCI 800 AND CCI 1200: A SINGLE TERMINAL FOR ALL KUHN MACHINES
The CCI 800 and 1200 ISOBUS terminals are AEF-certified. They focus on three priorities: performance, visibility and flexibility. You can control your machines intuitively with the big antiglare touchscreen. The terminals are capable of displaying different essential information simultaneously, and they can support the connection of a joystick and a camera. These terminals are highly versatile.



CCI 800: the compact ISOBUS terminal

The 8"/20.3 cm screen displays the main machine and mini-views on the side. Click on the mini-view to enlarge it.



CCI 1200: Innovative, high-performance, wide screen

With the 12.1"/30.5 cm screen, all essential information is displayed. Different display formats are available: mini-view / maxiview / double UT.

MANY APPLICATIONS AS STANDARD



TECU
To retrieve basic tractor information



CONTROL
To control your tasks and ISO-XML documentation



CONVERT
To connect a biomass sensor



CAMERA
To connect a camera and display live-view



HELP SYSTEM
The assistance you need

DISCOVER THE CCI APPLICATIONS



SECTION CONTROL
Automatic seeding management by GPS



DATA TRANSFER
Data import/export via agrirouter



RATE CONTROL
Application rate modulation by GPS (SHP or ISOXML) of several products (e.g. seeding + fertilization)



PARALLEL TRACKING
Steering assistance + tramlining by GPS with the Tramline Control function

ADAPTED TO NON-ISOBUS SYSTEMS WITH THE VT 30 TERMINAL

Particularly simple and intuitive, the new VT 30 terminal with its 3.5" colour touchscreen groups numerous functions:

- hopper seed level monitoring
- metering unit rotation monitoring
- it manages automatic tramlining rhythms (symmetrical, asymmetrical),
- hopper low level alarm,
- hectare counters,
- calibration assistance.



EQUIPMENT THAT MAKES ALL THE DIFFERENCE



Ryegrass agitator

Seed flow is difficult for some seed types such as ryegrass. So to improve seed flow, an extra agitator is available in addition to the standard oscillating one.



Pre-emergence markers

Pre-emergence markers are fitted separately so they are easy to position behind the coulter bar to adapt to different tramlining widths. They are also separate from the coulter bar so they have no effect on seeding quality or coulter pressure.



SEEDFLEX 1000 mud scraper

No more drumming in heavy soils. SEEDFLEX 1000 mud scrapers make it possible to drill in all conditions, including just after tillage or in clay soil.



Additional hopper low level sensor

This additional sensor is useful when sowing in hilly areas. An alarm message is then sent to the driver to warn him of an abnormal hopper emptying on one side or the other of the seed drill.



LED work lights

With LED work lights the driver has a good view of the seed drill and work done during the night. The work and maintenance lights can be turned on and off with the terminal.



KUHN PARTS



Designed and manufactured to rival time. KUHN foundries and forge as well as a high-level manufacturing process allow the production of spare parts to defy time. You can truly rely on our know-how and our genuine parts. Farmers benefit from our client support and logistics services via any KUHN PARTS warehouse, which provide quick and reliable repair solutions in cooperation with your nearest authorized KUHN dealer.

Technical specifications

Model	SITERA 3010		SITERA 3020		SITERA 3030		SITERA 3010 - 3020 - 3030	
	SITERA 3010-20	SITERA 3010-24	SITERA 3020-20	SITERA 3020-24	SITERA 3030-20	SITERA 3030-24	SITERA 20	SITERA 24
Working width (m)	3							
Transport width (m)	3							
Hopper capacity (with extension) (l)	800 (1200)							
Approx. loading height (cm)	189							
Approx. hopper opening dimensions (cm)	250 x 84							
Cover	Metal with anti-dust seal							
Distribution drive	Mechanical by variator						Electrical	
Agitator	◆							
Volumetric metering unit	HELICA with helical fluted splines - 1.5 to 450 kg/ha							
Number of valves	2 x 2 rows in symmetrical or asymmetrical rhythms							
Number of rows	20	24	20	24	20	24	20	24
Spacing (cm)	15	12.5	15	12.5	15	12.5	15	12.5
Compatibility with treatment widths (m)	12 - 15 - 18 - 21 - 24 - 27 - 30							
Seeding unit	2 rows of trailing coulters 33 cm distant		Double discs on 2 rows 25 cm distant		SEEDFLEX 1000 with double discs 35 cm distant on a parallelogram		Trailing coulters - Double discs - SEEDFLEX 1000	
Hard-coated inner scraper on disc					◆		SITERA 3030 e : ◆	
Seeding depth adjustment	Manual centralised							
Electronic equipment	ISOBUS CCI terminal or tractor ISOBUS terminal or VT 30							
Tramlining control	Automatic management 2 x 2 rows							
Hopper bottom sensor - Electronic monitoring	Seed level - metering unit rotation							
Counters	Daily and total							
Distribution half-width shut-off	Left side							
Approx. weight (kg)	920	950	1,010	1,050	1,170	1,250	Approx. 50 kg lighter than mechanical versions	
Loading platform	◆							
Parking stands	◆							

◆ standard equipment ◇ optional equipment - not available

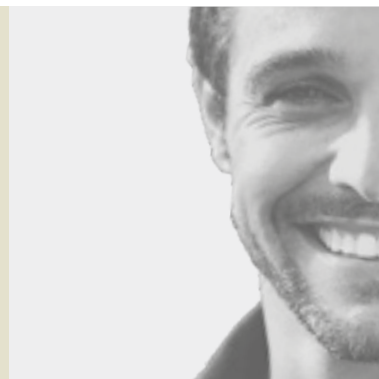
KUHN SERVICES*

KUHN sos order - Express spare parts service, 24/7**

KUHN protect+ - The choice of professionals!

KUHN i tech - For ever quicker repairs!

KUHN finance - Invest rationally!



*Not all services are available in all countries. **Except 1st January, 1st May and 25 December

MyKUHNS

THE LINK TO MY SUCCESS!

MyKUHNS is your online space. Sign up today and find out how MyKUHNS's exclusive services will help you manage your KUHN machinery and terminals more effectively. Log on with your computer, mobile phone or tablet computer to access spare parts catalogues, technical documentation and many connected services.



Check out the most comprehensive range of seed drills on the market.



1. Mounted mechanical - 2. Integrated mechanical - 3. With front hopper - 4. Integrated pneumatic - 5. Foldable pneumatic - 6. Mounted for min-till seeding - 7. Trailed for min-till seeding - 8. Precision seed drills

KUHN SAS - 4 Impasse des Fabriques - BP 50060 - F-67706 Saverne CEDEX - FRANCE
KUHN NORTH AMERICA, INC. - 1501 West Seventh Avenue - Brodhead, WI 53520 - USA
KUHN FARM MACHINERY PTY. LTD - 313-325 Foleys Road - Deer Park, VIC, 3023 - AUSTRALIA
KUHN FARM MACHINERY (U.K.) LTD - Stafford Park 7 - GB TELFORD/ SHROPS TF3 3BQ

To find your nearest KUHN dealer,
visit our website www.kuhn.com

Information given in this document is only for information purposes and is non-contractual. Our machines are in compliance with regulations in force in the country of delivery. In our literature, and for improved illustration of certain details, some safety devices may not be in operating position. When operating these machines, these devices **must** be in position in accordance with the requirements indicated in the operator's manuals and pre-delivery instructions. RESPECT THE ROAD REGULATIONS IN FORCE AS WELL AS the tractor gross vehicle weight rating, its lift capacity and maximum load per axle and tyres. The tractor front AXLE load must always comply with the regulations of the country of delivery (In Europe, it must reach minimum 20 % of the tractor net weight). We reserve the right to change any designs, specifications or materials listed without further notice. Machines and equipment in this document can be covered by at least one patent and/or registered design. Trademarks cited in this document may be registered in one or several countries.

To protect the environment, this leaflet is printed on chlorine-free paper.
Printed in France - 920 080 EN - 08.23 - Copyright 2023 KUHN

